

DIAGRAM I

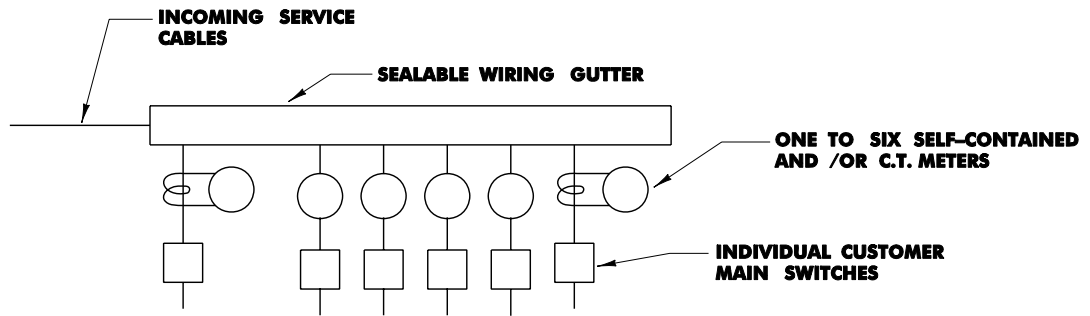


DIAGRAM II

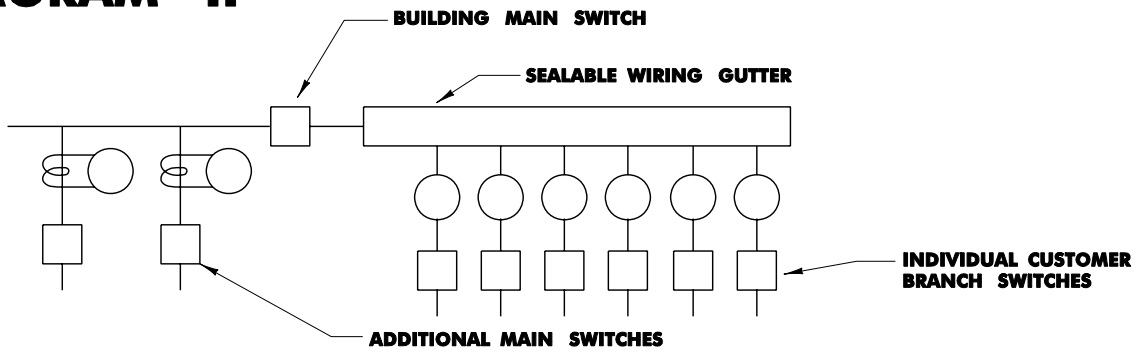


DIAGRAM III (NOT ALLOWED)

